

Power supplies NT01-72 for **LinMot®** Controllers

The power supplies NT01-72 series are transformer power supplies, which are compatible with **LinMot®** 72 VDC bus controller families!



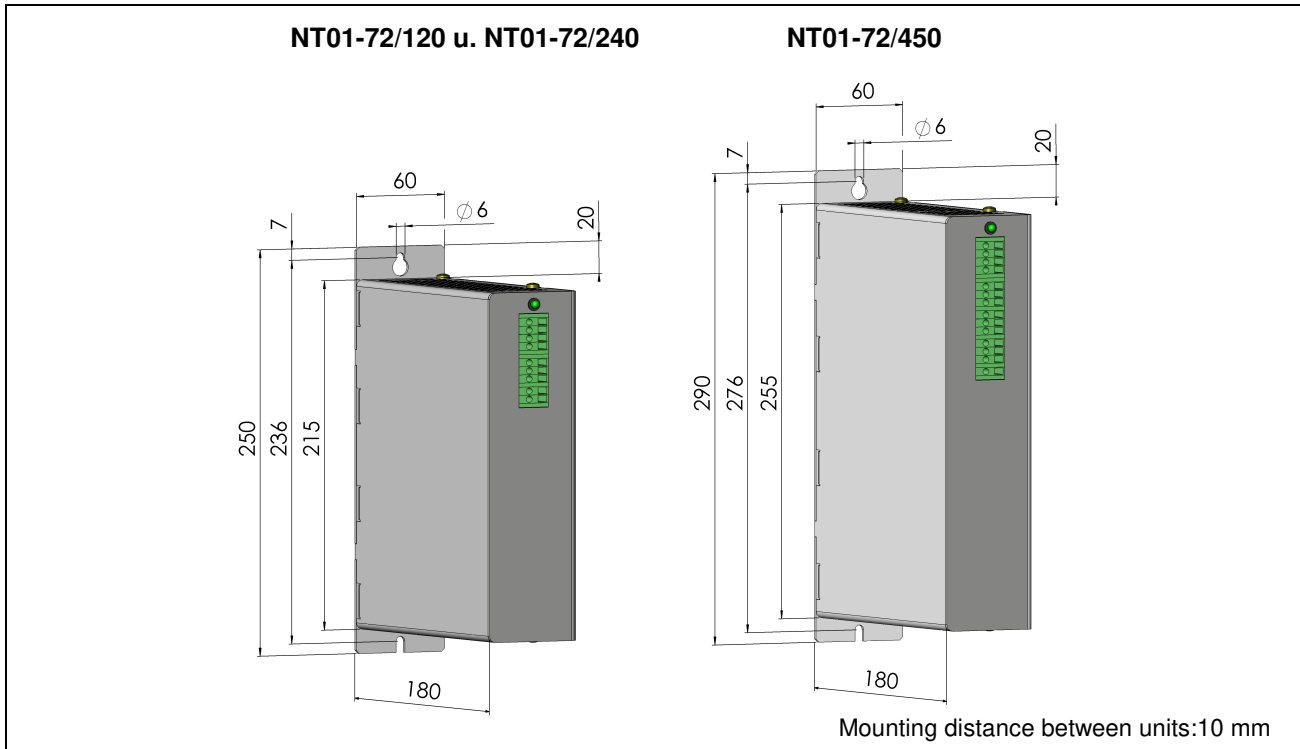
Performance

- Power supply for all **LinMot®** controller families with 72 VDC powers supplies
- 1 x 230 VAC or 3 x 400 VAC 50/60 Hz mains input
- 72 VDC nominal output voltage, no load output voltage approx. 75 VDC
- very large output capacitor
- integrated temperature control and internal output fuse
- slim design
- UL design

Technical data

Technical data		NT01-72/120	NT01-72/240	NT01-72/450
AC input		1 x 230 V +/- 5% / 50/60 Hz		3 x 400 V +/- 5% / 50/60 Hz
output power 50 % duty / 100 % duty	W	120 / 95	240 / 190	450 / 410
peak output power 1 sec.	W	300	600	800
output voltage no load / 100 % load	VDC	75 / 60		75 / 62
power consumption at 100 % load	W	15	30	55
stored electric energy in output capacitor	Ws	28		
regeneration energy (ref. to E1100)	Ws	12		
internal output fuse		FKS 5 A / 80 V light br.	FKS 10 A / 80 V red	FKS 15 A / 80 V light bl.
recommended input main fuse		LS-D 1,0 A	LS-D 2,0 A	LS-C 1,0 A three phases
internal overtemperature control		switch capability 250 VAC 2,5A / 24 VDC 1,6 A		
terminators		2,5 mm ²		
operating temperature / storage temperature	°C	0 – +45 / -40 – +75		
humidity	%	0 – 95 not condensing		
Protection grade		IP20		
net. weight	kg	2,5	4,2	6,5
horizontal mounting-hole distance in between NT01	mm	70		

Mechanical dimensions NT01-72



Connecting NT01-72 power supplies with **LinMot®** controllers

