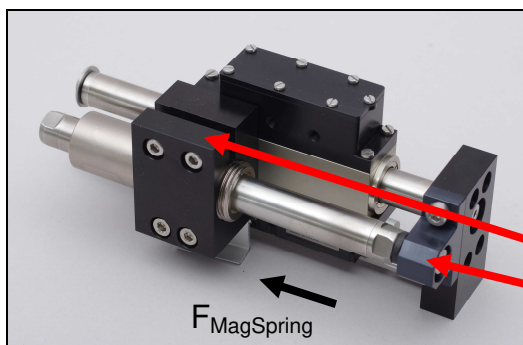
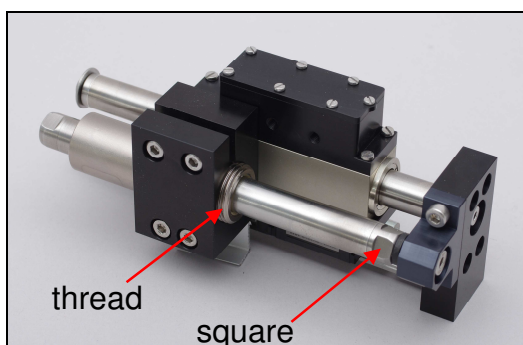


Assembly Guide for **MagSpring**® on **QuickLab**® QM02 Module Force Direction 'Pulling' (Load at Bottom)



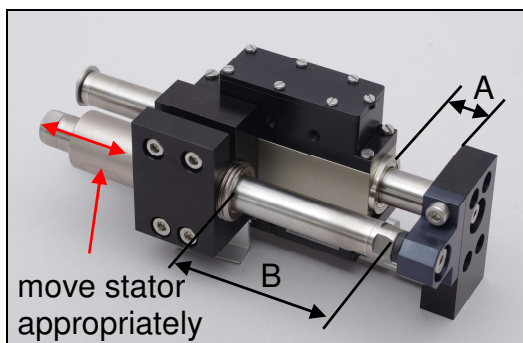
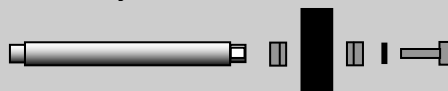
MagSpring assembly with AD53 and AD54 on QuickLab QM02 module

- image shows MagSpring mounted in std. configuration
- mounting position of MagSpring in force direction 'pulling'
- flange AD53
- slider mounting adaptor AD54



Assembly of MagSpring slider on slider mounting adaptor set AD54 & assembly of MagSpring stator

- assembly order



Adjustment of MagSpring stator

- A = 0 mm & B = 35 mm
- also see MagSpring data sheet
- ensure the smooth-running of the system

MagSpring Lubrication

For MagSpring slider lubrication use LinMot grease LU02 (FDA approved)

050600m0_en.doc
Stand: 15.07.2021
Technical changes reserved!